



**HIGH FLOW SAFETY DRAIN**

**SDX HIGH FLOW SAFETY DRAIN**  
FOR CONCRETE, VINYL & EQUALIZER POOLS

**OWNER'S MANUAL &  
INSTALLATION GUIDE**

SUBMERGED SUCTION OUTLET  
FOR SINGLE OR MULTIPLE DRAIN USE  
FOR USE ON WALL OR FLOOR



MDX® & SDX DRAINS ARE  
COMPLIANT WITH THE VIRGINIA  
GRAEME BAKER ACT 2006.

**NOTICE**

Read and follow these instructions. Give these instructions to the facility owner to keep for future reference. Follow all codes and regulations that apply to the design, installation and use of suction outlet fittings.

US and Foreign patents and patents pending see  
[www.1paramount.com/about/patents/](http://www.1paramount.com/about/patents/)

004-027-8746-00      REV011215

295 East Corporate Place • Suite 100 • Chandler, AZ 85225

Toll Free: 1.800.621.5886 • Phone: 480.893.7607 • Fax: 480.753.3397

[Paramount@1Paramount.com](mailto:Paramount@1Paramount.com) • [www.1Paramount.com](http://www.1Paramount.com)

  
**Paramount**  
Pool Life. Simplified.



## Signal Words and Symbols Used In This Manual

This Owner's Manual and Installation Guide contains specific precautions and symbols to identify safety-related information. You will find DANGER, CAUTION, WARNING and NOTICE symbols which require special attention. Please read them carefully and follow these precautions as indicated! They will explain how to avoid hazards that may endanger you or persons using or maintaining your pool or spa.



**DANGER**

DANGER indicates a hazardous situation which, if not avoided, will result in death or serious injury.



**WARNING**

WARNING indicates a hazardous situation which, if not avoided, could result in death or serious injury.



**CAUTION**

CAUTION indicates a hazardous situation which, if not avoided, could result in minor or moderate injury.

**NOTICE**

NOTICE is used to address practices not related to physical injury.

**PLEASE REVIEW THE OWNER'S MANUAL AND INSTALLATION GUIDE IN ITS ENTIRETY AND HEED ALL SAFETY INFORMATION.** Failure to follow these instructions and warnings can result in **DEATH OR SERIOUS INJURY.**

# SUCTION ENTRAPMENT HAZARD:

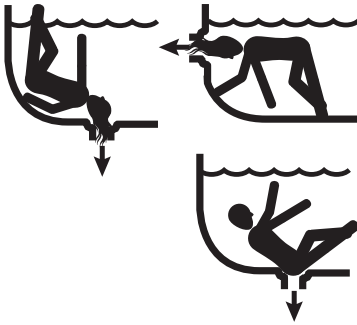
 **DANGER**

**DEATH or SERIOUS INJURY will result if a drain cover or grate is not installed and used correctly.**

- Pool and spa pumps produce high levels of suction and move high volumes of water, which can cause death or serious injury if a person comes in close proximity to pool or spa drains.
- Keep clear of pool and spa drains to avoid death or serious injury from suction.

 **DANGER**

**DEATH or SERIOUS INJURY will result from hair entanglement or limb entrapment.**



- Keep clear of pool and spa drains.
- Hair sucked into pool or spa drains will tangle and knot trapping the swimmer underwater. Avoid placing your hair near a pool or spa drain.
- Avoid sitting on pool or spa drains because the suction can cause severe intestinal damage, evisceration, and/or disembowelment.

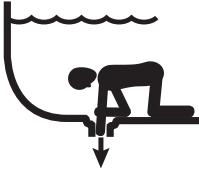
 **DANGER**

**DEATH or SERIOUS INJURY will result from pool or spa drain covers or grates that are improperly installed, missing, clogged, or broken.**

- Inspect pool and spa regularly to insure that drain covers and grates are properly in place and secured.
- Ensure that drain covers are not damaged, cracked, broken, loose, clogged, not properly secured, or missing because these conditions increase the chance of death or serious injury from entrapment.
- If a drain cover is discovered damaged, cracked, broken, loose, clogged, not properly secured, or missing, you should:
  - o Close the pool or spa immediately; and,
  - o Post a closure notice and keep the pool or spa closed until an appropriate ANSI/APSP -16-2011 certified drain cover is properly installed.



## DANGER



**DEATH** or **SERIOUS INJURY** will result from contact with a damaged, loose, or missing drain cover.

- Do not allow limbs to contact or be inserted into a drain pipe with a damaged, loose, or missing drain cover. This could result in swelling of the limb and/or trapping a swimmer underwater.
- Avoid mechanical entrapment of jewelry, swimsuit, hair decorations, finger, toe, or knuckle in a drain pipe with damaged, loose, or missing drain cover. This may result in trapping a swimmer underwater.
- Do not allow body to come into contact with a drain pipe that has a damaged, loose, or missing drain cover. This may result in trapping a swimmer underwater.

## MAINTENANCE INSTRUCTIONS & WARNINGS:



## WARNING

**DEATH** or **SERIOUS INJURY** can result from pool or spa drain covers or grates that are clogged by debris.

- All pool and spa drain covers may become obstructed by debris and should be cleaned periodically due to clogging from debris, such as pieces of plastic, hair, fabric, twigs, leaves, seeds, etc.
- The frequency of periodic cleaning will vary depending on the amount and type of debris introduced into the pool or spa
- Clogging of the drain cover will increase the suction effect and increase the likelihood of death or serious injury from those hazards listed above.
- A clogged drain can negatively affect the safety of the drain.
- It is advisable to have a qualified pool or spa professional perform this inspection and debris removal from the pool and spa drain covers.

# HOW SDX RETRO WORKS BETTER

The SDX RETRO RETRO high flow drain system is a dual-drain system designed and tested to safely deliver water to modern high flow pumps.

## Each Drain Addresses All Entrapment Hazards

**Hair Entrapment Avoidance.** At the heart of the Patented design is a cover that acts much like sixty self-regulating drains. This is significant because as some of the 'little' drains are covered, excessive suction does not transfer to the remaining openings. When excessive suction is transferred to unblocked openings in a traditional drain grate, the suction causes hair to enter multiple openings, creating a potential entrapment hazard if the hair tangles or puffs up inside the drain, making it impossible to pull free.

**Body Entrapment Avoidance.** The same self-regulating openings that protect against hair entrapment hazards, also provides body entrapment protection. When the self-regulating openings built into the SDX RETRO cover are combined with it's domed, anti-vortex shape, forming a seal with the cover is difficult.

**Security.** The SDX RETRO cover is held firmly in place with three recessed security screws which are made from top quality 316 Stainless Steel. And behind the SDX RETRO cover are at least three more screws to hold the whole assembly in place, providing multiple layers of anti-entrapment protection.

**Durability.** The SDX RETRO cover and support materials are far more durable than ABS, the typical plastic used in swimming pool drain covers. In addition to fading, the Buna in ABS is prone to UV degradation resulting in structural failures which contribute significantly to suction entrapment hazards.

## Dual-Drain System

**Vacuum Breaker Backup.** As with any dual-drain system, one drain is intended to be a vacuum breaker for the other in the unlikely event a swimmer completely blocks one of the SDX RETRO drains. If this were to happen, the pump is able to safely draw water from the second drain.

**Dual-Drain Spacing.** Most suction safety codes require dual-drains to be installed three feet apart, pipe to pipe, however some codes require three feet between drain covers. For this reason, Dual SDX RETRO piping is spaced three (3) feet, ten (10) inches apart.

**Vertical Dual-Drain Installation.** The purpose of the vertical dual-drain installation is to make it less likely two people can approach two drains at once. Effectively, the second drain would be at an individual's feet.

# SDX RETRO HIGH FLOW SAFETY DRAIN SYSTEM DESIGN

SDX RETRO is a circulation drain, not intended to remove debris. For this reason it is suggested SDX RETRO be installed on walls whenever possible. SDX RETRO is a high flow safety drain system submerged suction outlet suitable for Single or Multiple Drain use on the wall and floor. This is to keep debris and sand from collecting on and around the low velocity SDX RETRO cover. Do not locate suction outlets on seating areas or on the backrest of such seating areas.

The maximum flow rate for each pair of SDX RETRO drains is 200 gpm on the floor --192 gpm on the wall. This flow rating allows for pumps up to 3 hp to operate efficiently. For pumps with higher flow rates or systems with multiple pumps on a common manifold, additional SDX RETRO drains may be added. Do not exceed the maximum allowable flow rate stated on the suction fitting. The velocity at the opening to the SDX RETRO drain at the maximum rated flow of 200GPM is 1.485 feet per second. For multiple drain systems where more than two drains are used, the maximum flow rate is calculated per ANSI/APSP-7 Section 4.6 as shown in the following chart.

DESCRIPTION	MAXIMUM SYSTEM FLOW FLOOR	MAXIMUM SYSTEM FLOW WALL	MINIMUM FLOW RATING OF EACH COVER % MAXIMUM SYSTEM FLOW RATE
*One SDX High Flow Safety Drain	200 gpm (756 lpm)	192 gpm (726 lpm)	100%
Two SDX High Flow Safety Drains	200 gpm (756 lpm)	192 gpm (726 lpm)	100%
Three SDX High Flow Safety Drains	300 gpm (1136 lpm)	288 gpm (1090 lpm)	66.7%
Four SDX High Flow Safety Drains	400 gpm (1514 lpm)	384 gpm (1456 lpm)	50%

\*The addition of an approved SVRS is required when a single SDX is being used.

Table derived from ANSI/APSP-7 Section 4.6 Table 1

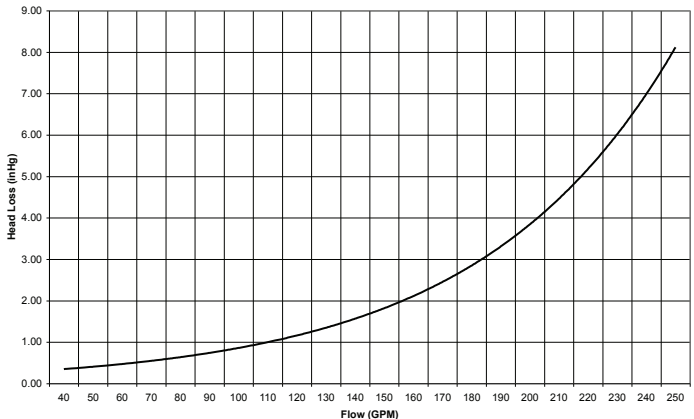
**Pipe size.** To design an efficient suction system in accordance with national swimming pool standards, the following pipe sizing guideline should be followed:

SUCTION PIPE SIZE	MAX RESIDENTIAL GPM	MAX PUBLIC GPM
1½"	50	37
2"	82	62
2½"	117	88
3"	181	136
4"	313 (200 Max GPM)	234 (200 Max GPM)

\*minimum pipe size 1 1/2

Flow vs Head Loss

## HEAD LOSS CURVE



For technical assistance call 1.800.621.5886 or contact your regional representative

SDX RETRO is an underwater suction drain cover system intended to replace any drain cover up to 10 inches in diameter. SDX is approved for single or multiple drain use. When retrofitting a SDX to an existing installation with a single suction outlet that is not listed and approved for use as a single suction outlet one of the following must be added in accordance with ANSI/APSP-7 Section 6.3. See excerpt of chart Appendix B.

**Excerpt ANSI/APSP-7 Appendix B options for single suction backup:  
One of these options must be installed on any single suction outlet.**

- Install additional ASME/ANSI A112.19.8 Outlet with the center to center distance between the suction pipes at least 36-inches, or on a separate plane. (see Sections 4.5 & 4.6)
- Convert Suction Outlet to Return Inlet by Changing the piping, provided the system piping and skimmer(s) shall be capable of handling the full system flow.
- Convert to Gravity Flow System in accordance with Section 5.8
- Engineered Vent System in accordance with Section 7.2
- Install & Test. Manufactured Safety Vacuum Release System (SVRS) Tested and Listed for the purpose by a Nationally Recognized Testing Laboratory in accordance with Section 7.1.
- Permanently Disable the Single Outlet, provided the system piping and skimmer(s) shall be capable of handling the full system flow and minimum turnover rates are achieved.

The maximum flow rate for SDX RETRO is 200 gallons per minute (gpm) or 756 liters per minute (lpm) Floor and 192 (gpm) or 726 (lpm) Wall. SDX RETRO should operate best when used with residential pumps of up to 3HP. Please ensure your pool or spa pump system meets this specification.

**NOTICE**

Note: Suction Safety Standards require that main drain grates used to cover concrete sumps, must have the suction pipe cut at least 1 ½ times the pipe diameter behind the drain cover. This is to allow room for even water flow through all drain cover holes. This is not necessary with the SDX drain because the Patented design provides uniform suction regardless of pipe location. However, if the pipe is too close to the surface and off center, this may restrict water flow to the pump, reducing hydraulic efficiency, but this does not pose a suction safety hazard.

Your SDX RETRO includes five important components; all of components 1-4 below must be used for proper installation. These components are as follows:

1. Black drain cover support plate;
2. Drain cover;
3. Six black plastic oval slot plugs that must be installed in the drain cover support plate after it is affixed to the pool or spa surface;
4. Three 10x7/8 security screws to secure drain cover to drain cover support plate, together with a tool for installing these screws; and
5. Assorted screws, fasteners, and plastic spacers for attaching drain cover support plate to pool or spa surface. See Installation Instructions to determine which components you will need to use.



# SDX RETRO CONCRETE INSTALLATION

1. Turn off all power to pool or spa and pump systems. Installation is easiest when pool or spa is drained.



## CAUTION

Draining a pool or spa may cause structural damage. Before draining contact your local licensed pool builder or remodeler.

2. Remove existing drain cover (Fig. 1).
3. Determine from the following choices which provided screws, fasteners, and spacers to use to attach the drain cover support plate to the pool or spa surface.
  - 3a. If the pool or spa surface has an embedded ring around the suction pipe, which ring has threaded screw hole inserts, use the provided two 8-32x3/4 screws (Fig. 2). Use the appropriate provided spacers A or B (Fig. 9 see page 13 (small end up) to close the gap between the drain cover support plate and the embedded ring. For example, if you are replacing a Pentair drain cover use spacer B.275; if you are replacing a Waterway drain cover use spacer A.250. If you have an AFRAS ABF Series drain (See steps 1-3 page 11 for instructions on how to cut screws) then use spacer A.250. Use a knife and cut off small end of the spacer (Fig. 2a) and use around the screw between the support plate and embedded ring.

Fig. 1: Existing Drain Cover

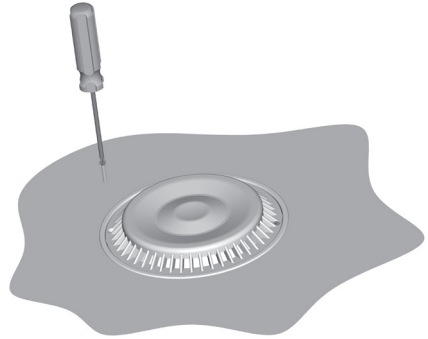


Fig. 2: Ring with Threaded Screw Hole Inserts

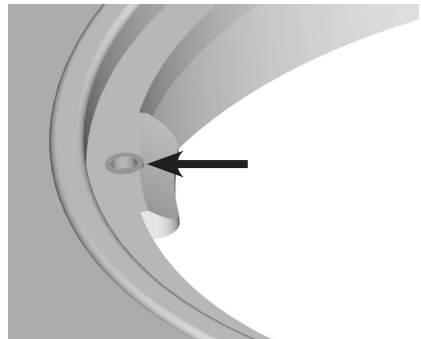


Fig. 2a

REMOVE THIS

CUT HERE



LIKE THIS



## CAUTION

FAILURE TO USE THE CORRECT SPACERS MAY CAUSE THE POOL COVER SUPPORT PLATE TO BE PULLED FROM THE POOL OR SPA SURFACE.

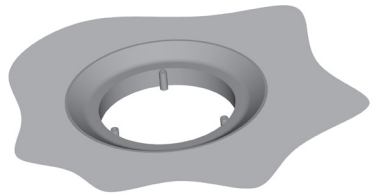
IF the spacers provided do not properly fill the gap because of pool interior surface level in relation to the sump or embedded ring stop. Do not use the threaded inserts go to method described in step 3F to complete the installation.

- 3b. If the pool or spa surface has an embedded ring around the suction pipe, which ring does not have threaded screw hole inserts, or the pool or spa surface has an indented sump without threaded screw hole inserts, and the distance between the pool or spa surface and the tops of the screw holes is shallower than  $\frac{1}{4}$ " , use the two provided  $10 \times \frac{5}{8}$  self threading screws. No spacers will be needed (Fig. 3).
- 3c. If the pool or spa has an embedded ring around the suction pipe, which the ring does not have threaded screw hole inserts or has an indented sump without threaded screw hole inserts, and the distance between pool and spa surface and the tops of the screw holes is greater than  $\frac{1}{4}$ " but less than  $\frac{1}{2}$ " use the two provided  $10 \times \frac{7}{8}$  self threading screws (Fig.3). No spacers will be needed.
- 3d. If the pool or spa surface has an embedded ring around the suction pipe, which ring does not have threaded screw hole inserts, or the pool or spa surface has an indented sump without threaded screw hole inserts, and

**Fig. 3: Shallow Ring without Threaded Inserts**



**Fig. 4: Deep Set Ring without Threaded Inserts**



the distance between pool or spa surface and the tops of the screw holes is deeper than  $\frac{1}{2}$ " , use the two provided  $10 \times 1\text{-}\frac{1}{4}$  self-threading screws. No spacers will be needed (Fig. 4).

### 3e. EQUALIZER

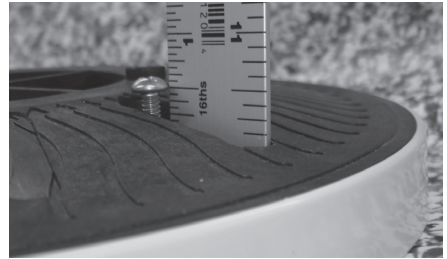
When replacing a suction cover over a skimmer equalizer line or a small button style cover where there is no sump or the sump is less than  $\frac{1}{2}$ " deep you must use the spacer ring, concrete anchors and  $\#10 \times 1\ \frac{7}{8}$ " screws. (Fig. 7a, page 12) Install anchors in concrete per instructions 3f. Place the SDX retro support plate ring on a hard surface with the flange up. Place the SDX retro support plate on the ring with the grooves facing up and with both hands pushing down; snap the support plate into the support ring. (Fig. 2 & 3, page 15)

- 3f. If the pool or spa surface has no usable holes around the suction pipe that will hold the support plate securely, drill new .160 diameter holes in the plastic ring or drill .250 diameter holes in the concrete and use the plastic anchors to make holes to accept the screws. Then use the correct length #10 self threading screws provided from the instructions above to secure the drain to the pool or spa surface. No spacers will be needed (Fig.5, page 16).
- 3g. If you have a Jacuzzi MO series drain use the long 10-24 pan hd screw. This screw may need to be cut to fit the application.

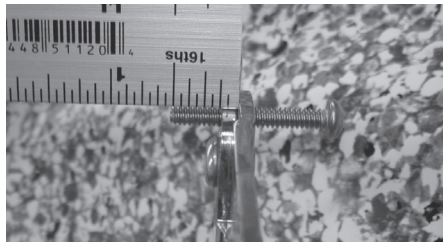
### Cutting Screws

1. Install the screw into the support plate and measure the distance between the bottom of the screw head and the notch in the support plate.
2. Remove the screw. Using a screw cutter (typically found in the handle of wire strippers) cut screw to the correct length.
3. Install screw thru the support plate into the sump until the support plate (and spacer ring if used) is snug to the pool surface and there is no gap behind the support plate.

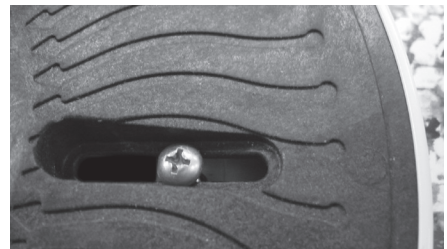
Step 1.



Step 2.



Step 3.



## Installing Support Plate

1. Align the drain cover support plate over the ring or sump (Fig. 6). If pipe cannot be centered under plate then a 1" deep sump will give optimum water flow to the pump. If the pipe can be relatively centered NO SUMP is required. (Fig. 7a).

### NOTICE

Suction Safety Standards require that main drain grates used to cover concrete sumps, must have the suction pipe cut at least 1 1/2 times the pipe diameter behind the drain cover. This is to allow room for even water flow through all drain cover holes. This is not necessary with the SDX drain because the Patented design provides uniform suction regardless of pipe location. However, if the pipe is too close to the surface and off center, this may restrict water flow to the pump, reducing hydraulic efficiency, but this does not pose a suction safety hazard.

2. Attach the drain cover support plate to the pool or spa surface with the appropriate screws, fasteners, and spacers as described in 3 on page 10 (Fig. 8 or 9, page 13. **Completely hand tighten screws. Do not use power tools.**

Once installed, be sure that the drain cover support plate is firmly in place and cannot be pulled out of the pool or spa surface. If the drain cover support plate is not firmly in place, re-read these instructions and try another installation method (perhaps 3e above) (Fig. 5).

Fig. 5: Ring without Usable Screw Insert



Fig. 6: Support Plate

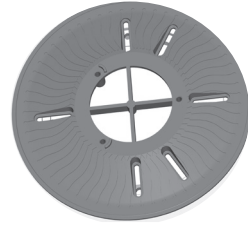
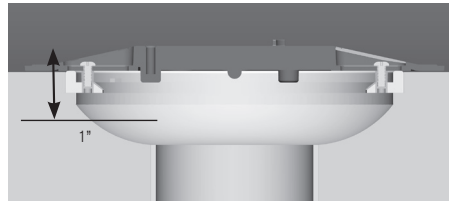
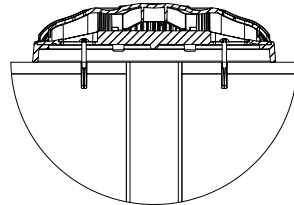


Fig. 7: Support Plate Aligned Over Screw Holes



If pipe cannot be centered under plate then a 1" deep sump will give optimum water flow to the pump. If the pipe can be relatively centered NO SUMP is required.

Fig 7a: SDX over suction outlet with no sump



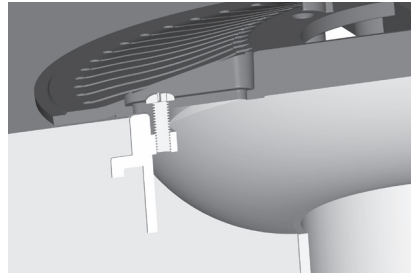


## WARNING

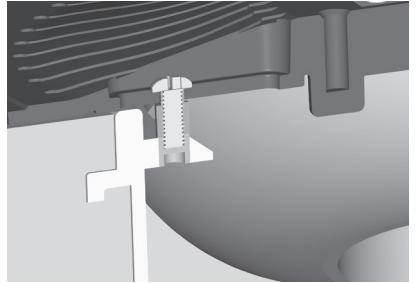
Failure to securely fasten black support plate can result in injury or death.

- Securely snap all six oval slot plugs provided into the six slots in the drain cover support plate. Use the plugs without tabs (marked C) over screws (tabs may be broken off if necessary). When tabs are broken off the tree the attachment points at each end must be trimmed flush for the part to fit snugly in the support plate. **CAUTION: FAILURE TO PROPERLY INSTALL THE PLUGS COULD DISABLE THE SAFETY FEATURES OF THE SDX RETRO (Fig. 10).**
- Attach the drain cover to the drain cover support plate using the tool and the three 10x7/8 security screws provided (Fig. 11). Paramount requires the use of security screws to secure the cover. **Completely hand tighten screws. Do not use power tools.**
- If the SDX Retro is on a curved wall such as a spa, or the wall/floor of the pool is un-even, then the gap between the back plate of the SDX and the pool finish must be filled. An under water epoxy such as AB epoxy putty may be used or if the pool is empty then silicon glue may be used. Allow for drying time in both cases before suction is applied to the drain cover.

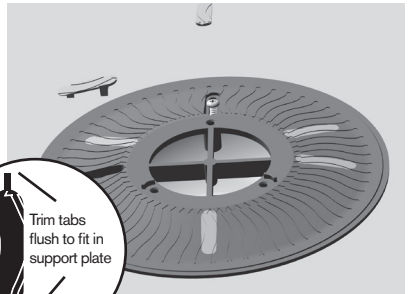
**Fig. 8: Attached without Spacers and Threaded Inserts**



**Fig. 9: Attached with Both Spacers and Threaded Inserts**



**Fig. 10: Install Slot Plugs**



**Fig. 11: Attach SDX RETRO Drain Cover**



# SDX RETRO VINYL INSTALLATION

SDX RETRO is an underwater suction drain cover system intended to replace any drain cover up to 10 inches in diameter. SDX is approved for single or multiple drain use. When retrofitting a SDX to an existing installation with a single suction outlet that is not listed and approved for use as a single suction outlet one of the following must be added in accordance with ANSI/APSP-7 Section 6.3. See excerpt of chart Appendix B.

Excerpt ANSI/APSP-7 Appendix B options for single suction backup:  
One of these options must be installed on any single suction outlet.

- Install additional ASME/ANSI A112.19.8 Outlet with the center to center distance between the suction pipes at least 36-inches, or on a separate plane. (see Sections 4.5 & 4.6)
- Convert Suction Outlet to Return Inlet by Changing the piping, provided the system piping and skimmer(s) shall be capable of handling the full system flow.
- Convert to Gravity Flow System in accordance with Section 5.8
- Engineered Vent System in accordance with Section 7.2
- Install & Test. Manufactured Safety Vacuum Release System (SVRS) Tested and Listed for the purpose by a Nationally Recognized Testing Laboratory in accordance with Section 7.1.
- Permanently Disable the Single Outlet, provided the system piping and skimmer(s) shall be capable of handling the full system flow and minimum turnover rates are achieved.

The maximum flow rate for SDX RETRO is 200 gallons per minute (gpm) or 756 liters per minute (lpm) Floor and 192 (gpm) or 726 (lpm) Wall. SDX RETRO should operate best when used with residential pumps of up to 3HP. Please ensure your pool or spa pump system meets this specification.

Your SDX RETRO (Vinyl) includes six important components; all of components 1-5 below must be used for proper installation. These components are as follows:

1. Support spacer;
2. Black drain cover support plate;
3. Drain cover;
4. Six black plastic oval slot plugs that must be installed in the drain cover support plate after it is affixed to the pool or spa surface;
5. Three 10x7/8 security screws to secure drain cover to drain cover support plate, together with a tool for installing these screws; and
6. Assorted screws, fasteners, and plastic spacers for attaching drain cover support plate to pool or spa surface. See Installation Instructions on next page to determine which components you will need to use.

1. Turn off all power to pool or spa and pump systems. Installation is easiest when pool or spa is drained.

**⚠ CAUTION**

DRAINING A POOL OR SPA MAY CAUSE STRUCTURAL DAMAGE. BEFORE DRAINING CONTACT YOUR LOCAL LICENSED POOL BUILDER OR REMODELER.

2. Remove existing drain cover. (Fig. 1)
3. Place the SDX retro support plate ring on a hard surface with the flange up. (Fig. 2) Place the SDX retro support plate on the ring with the grooves facing up and with both hands pushing down, snap the support plate into the support plate ring. (Fig. 3)
4. Place the assembled support plate and ring over the vinyl sump. Line up the correct slots with the existing screw holes that were used for the previous grate cover. Using the appropriate screws supplied in the SDX retro kit, attach the support plate and ring to the existing sump. Completely hand tighten screws. Do not use power tools.

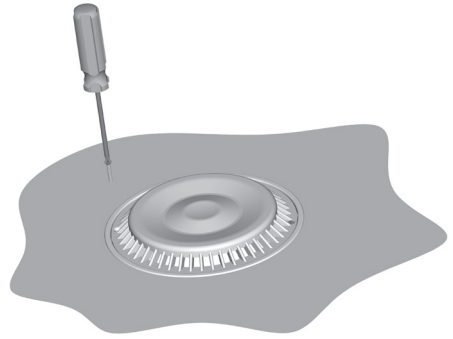
(Fig. 4)

**⚠ CAUTION**

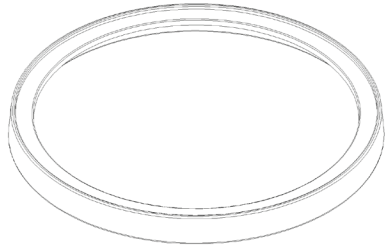
IF THE SUMP HAS BRASS INSERTS IN IT FOR MACHINE SCREWS DO NOT INSTALL; CALL PARAMOUNT FOR INSTRUCTIONS.

If you have a Jacuzzi MO series drain use the long 10-24 pan hd screw. This screw may need to be cut to fit the application. (See page 11 for instructions on how to cut screws.)

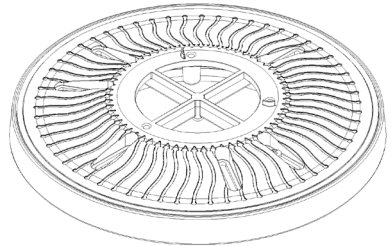
**Fig. 1: Existing Drain Cover**



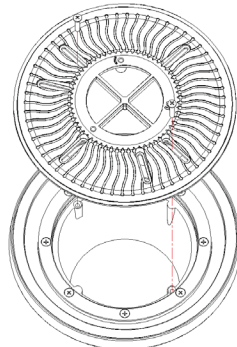
**Fig. 2: Support Ring Spacer**



**Fig. 3: Support Ring and Plate Snapped Together**



**Fig. 4: Support Ring and Plate Screwed to Existing Sump**





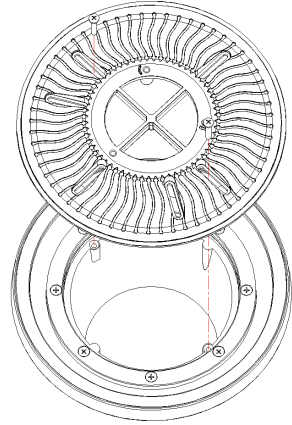
5. Once installed, be sure that the drain cover support plate is firmly in place and cannot be pulled away from the pool surface. The Drain cover support must be firmly in place or do not proceed to next step.
6. Securely snap all (6) six oval slot plugs provided into the (6) six slots in the drain cover support plate. Use the plugs without tabs (marked C) over screws (tabs may be broken off if necessary). (Fig. 5)

**CAUTION**

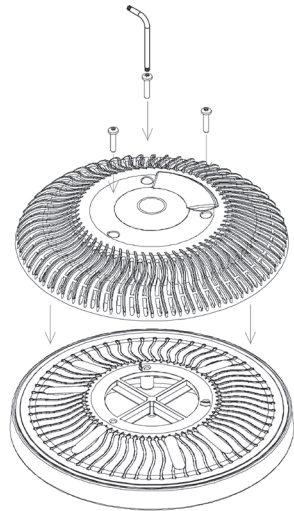
FAILURE TO PROPERLY INSTALL THE PLUGS COULD DISABLE THE SAFETY FEATURES OF THE SDX RETRO.

7. Attach the drain cover to the drain cover support plate using the torx wrench tool and the three 10 x 7/8 security screws provided. (Fig. 6) Completely hand tighten screws. Do not use power tools.
8. Final assembly. (Fig. 7)

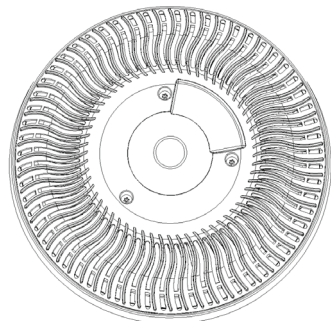
**Fig. 5: Support Plate Ring, Plate and Plugs**



**Fig. 6: Attach Drain Cover to Support Plate**



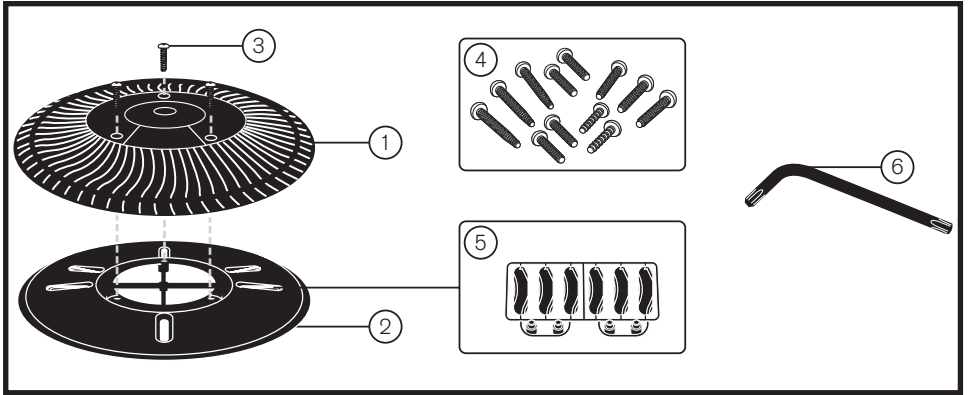
**Fig. 7: Final Assembly**





# SDX RETRO CONCRETE PART NUMBER 004-192-2212-XX

**Replace cover within 05 installed years**



Item	Part Number	Description
1	005-252-2087-XX	SDX Retro Cover
2	005-252-2067-00	SDX Retro Support
3	005-252-0828-00	Screw 10x7/8 TORX w/ Pin SS B (12 pieces)
4	005-252-0886-00	SDX Retro Screw Set
5	005-252-2006-00	Trim Pack SDX Retro
6	005-252-5489-00	TORX Wrench T-25 Security

Please indicate your color choice by placing the appropriate color code in place of the "XX" at the end of the part number. Colors are provided on the inside of the back cover.

White-01    Gray-02    Black-03    Taupe-04    Blue-05    Light Blue-06    Beige-07    Light Gray-08

PROPER INSTALLATION OF THE SDX RETRO IS ESSENTIAL.  
 IF YOU HAVE ANY QUESTIONS, PLEASE CALL PARAMOUNT AT 1.800.621.5886  
 OR CONTACT YOUR REGIONAL REPRESENTATIVE.  
 PLEASE FOLLOW ALL LOCAL CODES AND POOL SAFETY GUIDELINES.

1300634v2/15700-0001

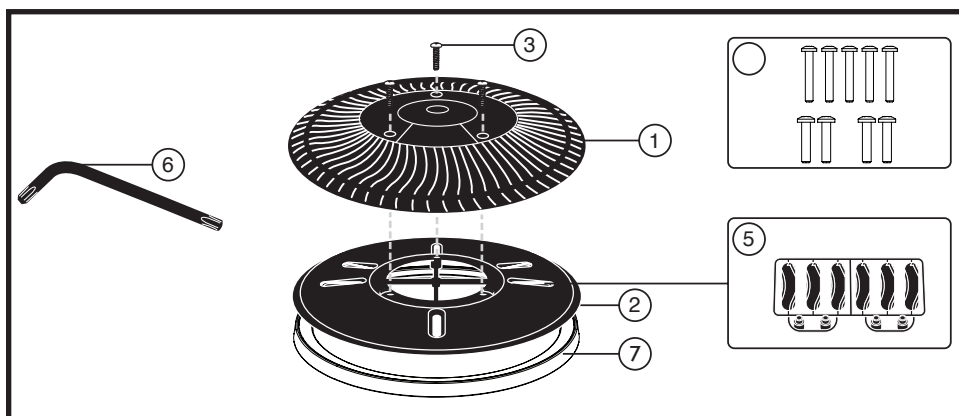


**WARNING**

SDX and SDX Retro must be installed in accordance with Paramount's written instruction manual, and in conformity with applicable Federal, State, Local and Swimming pool industry building and safety codes.

# SDX RETRO VINYL PART NUMBER 004-159-2212-XX

**Replace cover within 05 installed years**



Item	Part Number	Description
1	005-252-2087-XX	SDX Retro Cover
2	005-252-2067-00	SDX Retro Support
3	005-252-0828-00	Screw 10x7/8 TORX w/ Pin SS B (12 pieces)
4	005-252-0887-00	SDX Retro Vinyl Screw Set
5	005-252-2006-00	Trim Pack SDX Retro
6	005-252-5489-00	TORX Wrench T-25 Security
7	005-159-2049-XX	SDX Retro Spacer Ring

Please indicate your color choice by placing the appropriate color code in place of the "XX" at the end of the part number.  
Colors are provided on the inside of the back cover.

White-01    Gray-02    Black-03    Taupe-04    Blue-05    Light Blue-06    Beige-07    Light Gray-08

PROPER INSTALLATION OF THE SDX RETRO IS ESSENTIAL.  
IF YOU HAVE ANY QUESTIONS, PLEASE CALL PARAMOUNT AT 1.800.621.5886  
OR CONTACT YOUR REGIONAL REPRESENTATIVE.  
PLEASE FOLLOW ALL LOCAL CODES AND POOL SAFETY GUIDELINES.

1300634v2/15700-0001

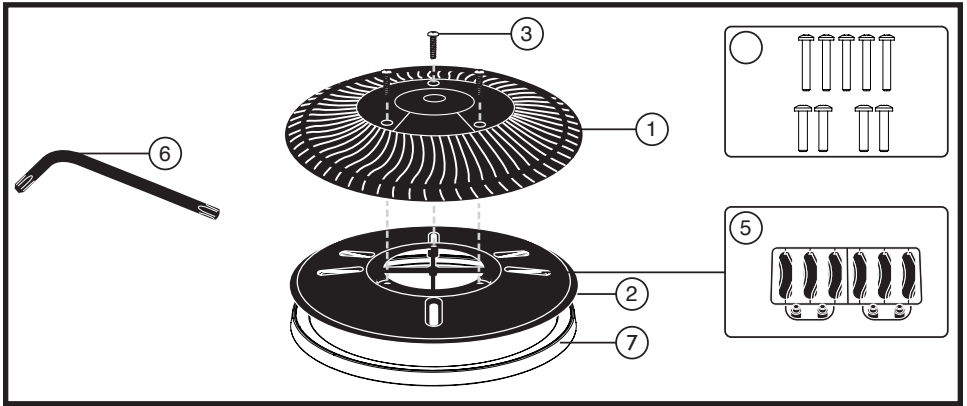


**WARNING**

SDX and SDX Retro must be installed in accordance with Paramount's written instruction manual, and in conformity with applicable Federal, State, Local and Swimming pool industry building and safety codes.

# SDX RETRO EQUALIZER PART NUMBER 004-157-2212-XX

**Replace cover within 05 installed years**



Item	Part Number	Description
1	005-252-2087-XX	SDX Retro Cover
2	005-252-2067-00	SDX Retro Support
3	005-252-0828-00	Screw 10x7/8 TORX w/ Pin SS B (12 pieces)
4	005-252-0888-00	SDX Retro Equalizer Screw Set
5	005-252-2006-00	Trim Pack SDX Retro
6	005-252-5489-00	TORX Wrench T-25 Security
7	005-159-2049-XX	SDX Retro Spacer Ring

Please indicate your color choice by placing the appropriate color code in place of the "XX" at the end of the part number.  
Colors are provided on the inside of the back cover.

White-01    Gray-02    Black-03    Taupe-04    Blue-05    Light Blue-06    Beige-07    Light Gray-08

PROPER INSTALLATION OF THE SDX RETRO IS ESSENTIAL.  
IF YOU HAVE ANY QUESTIONS, PLEASE CALL PARAMOUNT AT 1.800.621.5886  
OR CONTACT YOUR REGIONAL REPRESENTATIVE.  
PLEASE FOLLOW ALL LOCAL CODES AND POOL SAFETY GUIDELINES.

1300634v2/15700-0001



**WARNING**

SDX and SDX Retro must be installed in accordance with Paramount's written instruction manual, and in conformity with applicable Federal, State, Local and Swimming pool industry building and safety codes.

