

### SIGNAL WORDS AND SYMBOLS USED IN THIS MANUAL

This Owner's Manual and Installation Guide contains specific precautions and symbols to identify safety-related information. You will find DANGER, CAUTION, WARNING and NOTICE symbols which require special attention. Please read them carefully and follow these precautions as indicated! They will explain how to avoid hazards that may endanger you or persons using or maintaining your pool or spa.

**DANGER** DANGER indicates a hazardous situation which, if not avoided, will result in death or serious injury.

**WARNING** WARNING indicates a hazardous situation which, if not avoided, could result in death or serious injury.

**CAUTION** CAUTION indicates a hazardous situation which, if not avoided, could result in minor or moderate injury.

**NOTICE** NOTICE is used to address practices not related to physical injury.

PLEASE REVIEW THE OWNER'S MANUAL AND INSTALLATION GUIDE IN ITS ENTIRETY AND HEED ALL SAFETY INFORMATION. Failure to follow these instructions and warnings can result in DEATH OR SERIOUS INJURY.

**NOTICE** See sizing chart for blower below but always follow manufacturer's recommendations of appropriate size blower for best results.

### INSTALLATION EXAMPLE:

- Using the chart, use run length between 7' and 14' and depths between 19" and 42". With this information, the range of number of holes acceptable is 29-56.
- Using the recommended 3" spacing (4 holes per foot) = 12' x 4 holes/ft = 48 holes.

Run Length	up to 18" Depth	19" to 32" Depths	33" to 42" Depths	Blower Size
4' - 7' length	16-56 holes	20-56 holes	24-56 holes	1hp
7' - 14' length	29-56 holes	29-56 holes	29-56 holes	2hp
Recommended number of holes				

### RECOMMENDATIONS FOR THE AIRBAR

- Hole spacing 3" apart
- Use 3/16" holes only
- Any configuration shorter than 4' is not recommended

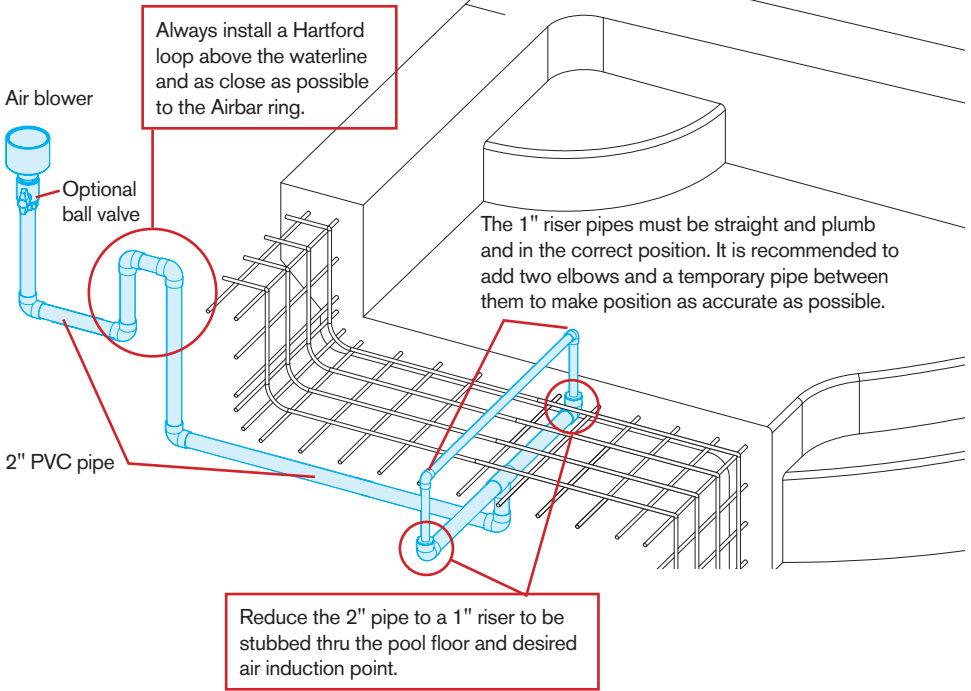
### REQUIREMENTS FOR THE PROPER AIRBAR INSTALLATION

- Airbar must be installed horizontal and level
- Up to 7' in length use 1 hp blower
- 7' to 14' in length use 2 hp blower
- Any configuration longer than 14' (56 holes) will require a separate blower system\*
- Airbar can be installed in steps, benches, spa, and floors to a maximum depth of 42"
- Do not install the Airbar on a wall.
- When installing on a bench or step position run at least 10" from the wall to reduce water movement over the tile line which could undermine the deck. See Fig. 2.
- Airbar should be a minimum of 2" from the radius at the edge of a step or bench. See Fig. 2.

\* Commercial blowers can exceed these limitations

004-027-8835-00 ROO ECN\_1533 Publish 06/14/18

Fig. 1



## AIRBAR CONFIGURATIONS

### CONTINUOUS LOOP

The Airbar can be installed as a closed loop (octagon, hexagon, square or rectangle). For looped shapes air induction should be in two places at equal distances on opposite sides of the shape for best balance of air affect.

### NON-LOOPED (STRAIGHT OR ANGLED)

For a non-looped Airbar 7' or less, feed the air into one end and cap off the other end. For an Airbar longer than 7' feed air to both ends.

#### NOTICE

#### WHEN INSTALLED ON SLOPED AREAS OF THE POOL

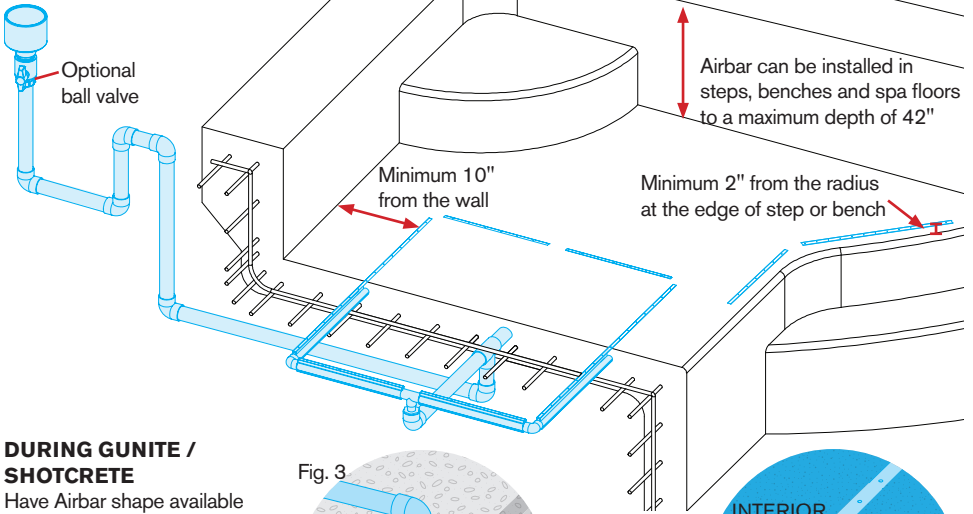
Keep the Airbar level across the slope. Do not install the Airbar where one end is higher than the other.

### PLUMBING

- Airbar channel ships in 2 packs, 4' lengths. It may be cut to desired lengths to make custom shapes. To connect lengths of Airbar together for lengths greater than 4' use the Airbar connector fitting 004-852-9930-XX that fits inside the channel. The Airbar uses standard schedule 40 PVC pipe fitting 90s, 45s and tees, see Fig. 6 to make shapes. To connect channels at a change in direction use the Airbar x 1" spigot adaptor fitting 004-852-9920-XX. One side fits inside the Airbar channel the other fits standard 1" pipe fittings. These pipe fittings will be buried under the plaster and not visible. See Fig. 5.
- Install 2" PVC from blower location to the Airbar location in the pool. Reduce the 2" pipe to a 1" riser to be stubbed thru the pool floor and desired air induction point. See Fig. 1. Keep plumbing as high as possible and above waterline of pool if possible between blower location and where pipe enters the pool excavation. Do not run plumbing across floor of pool below 42" depth. See Fig. 2.
- Looped shapes and linear bars longer than 7' will need to have air feed at opposite points on the shape. The 1" riser pipes must be straight and plumb and in the correct position. See Fig. 1. It is recommended to add two elbows and a temporary pipe between them to make position as accurate as possible. See diagram and recommended center line distance for each shape kit. See Fig. 4.

Fig. 2

Air blower



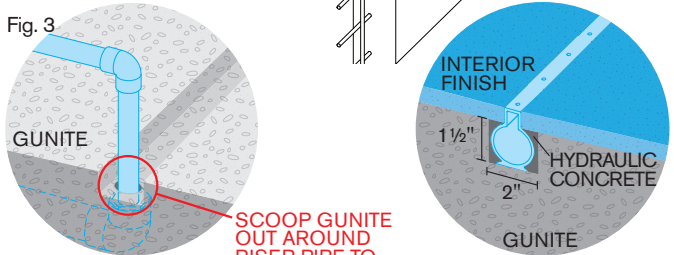
### DURING GUNITE / SHOTCRETE

Have Airbar shape available and glued together. After shooting concrete place assembled Airbar on concrete where it is to be installed later and trace the outline in concrete. Use a margin trowel to notch.

**NOTICE**

Concrete should be minimum 6" thick.

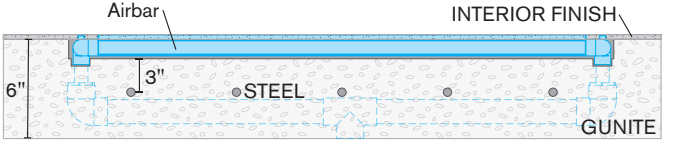
Fig. 3



SCOOP GUNITE OUT AROUND RISER PIPE TO ALLOW SPACE FOR AIRBAR TEE

### DURING PLASTER / PEBBLE

Prior to installing final finish cut air stub and glue Airbar assembly so the top is level and 1/2" above gunite/shotcrete. Notch in concrete can be filled with hydraulic cement or final finish aggregate. See Fig. 3.



**IMPORTANT HOLE DRILLING DETAIL**

Find the starting point  
 To determine where to drill your first hole, measure the overall length of the Airbar section and divide by 3 (holes are 3" apart). Whatever the length is left over divide that by 2 and drill your first hole that distance from the edge of the Airbar.  
**EXAMPLE:** 41" Airbar section -  $41 \div 3 = 13$  (13 holes).  $13 \times 3 = 39$ ".  $41 - 39 = 2$ ".  $2 \div 2 = 1$ ". Drill your first hole 1" from the end of the Airbar and measure 3" to drill your second hole, continue until all holes are drilled.

### OPTION 1

Drill 3/16" holes 3" apart before final finish and cover with 1/2" wide tape over the top of the Airbar. Make sure to force the aggregate around and under the Airbar channel. Remove the tape after the finish is done.

### OPTION 2

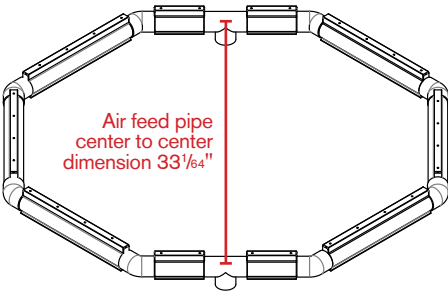
Install interior finish flush with the top of the Airbar. Make sure to force the finish around and under the Airbar channel. After finish is done and the pool is acid washed/sanded, drill 3/16" holes 3" apart before filling.

**NOTICE**

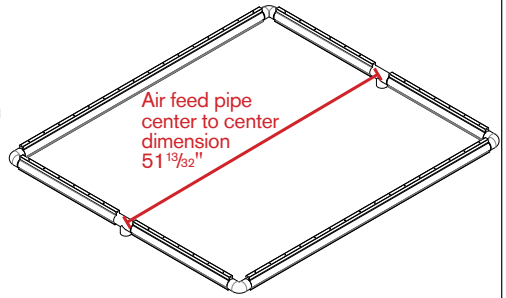
Areas that winterize should take precautions to ensure Airbar is installed below the freeze point of the pool. To winterize install a ball valve on the blower line. Run the blower until air is coming up from the air bar and then close line and shut off blower.

## AIRBAR CONFIGURATIONS Fig. 4

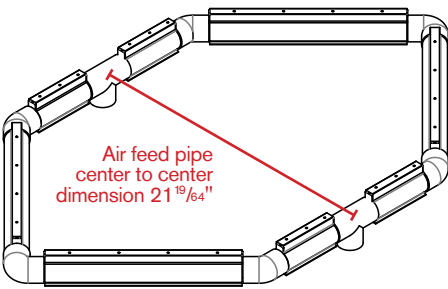
Available in White 01 or Grey 02



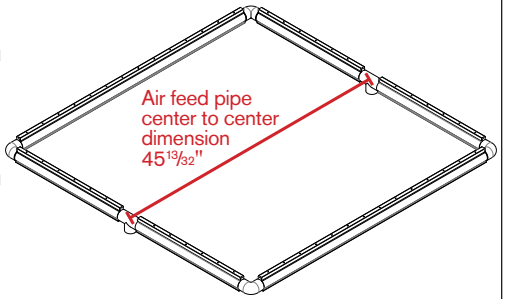
27" x 27" OCTAGON 004-852-9940-XX



42" x 53 1/2" RECTANGLE 004-852-9950-XX



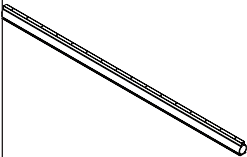
23" x 27" HEXAGON 004-852-9960-XX



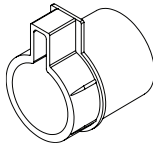
42" x 42" SQUARE 004-852-9970-XX

All components are available ala-carte to be assembled to whatever shape you would like.

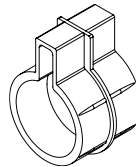
## AIRBAR PARTS Fig. 5



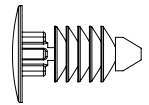
48" Airbar  
004-852-9800-XX



1" Airbar Spigot Adapter  
004-852-9920-XX



Airbar Connector  
004-852-9930-XX



Airbar Air Hole Plug  
004-852-9400-00

Fig. 6



45° Standard 1" pipe  
fitting



90° Standard 1" pipe  
fitting



Standard 1" tee  
fitting