



LISBON

PARAMOUNT PASSPORT TO PARADISE 2026

JANUARY 3-10, 2026 | ParamountPassportToParadise.com



Drawing Request Form

1.800.621.5886 cad@1Paramount.com

Please allow 3 business days for layout

Builder Please fill out completely to insure incentive points are awarded accurately

*Company		*City / State	*Branch (city)
*Contact Name		Sales Person	
Telephone		E-mail	
*Job Name / Number			
*Address		*City / State	*Zip

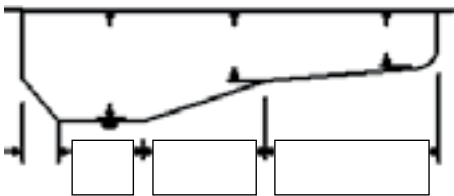
Revisions

Previous Drawing #

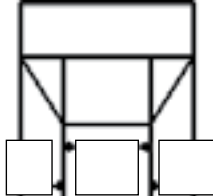
Changes:

Length-width measurements, break line, waterline for zero entry MUST BE SHOWN on a scaled pool drawing

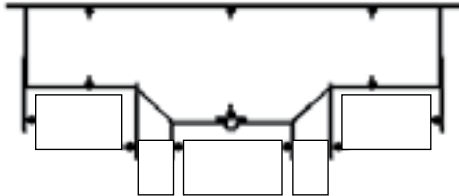
Pool Dimensions:	X	Pool Depths:	X	X	Square Feet:
-------------------------	---	---------------------	---	---	---------------------



MUST SHOW break line
Distances in FEET



SLOPE (no break)
Distances in FEET



CENTER DEEP (no break)
Distances in FEET

*****Check corresponding boxes and fill in the blanks to best describe the cleaning system requested*****

Pump / Drains / Canisters / Skimmers

	Paraflo XE	MDX-R3 Drain	Channel Drain	Equipment Canister	Deck Canister	Canister w/ MV Fuse
Pool	<input type="checkbox"/>	<input type="checkbox"/>	<input type="checkbox"/>	<input type="checkbox"/>	<input type="checkbox"/>	<input type="checkbox"/>
Basin	<input type="checkbox"/>	<input type="checkbox"/>	<input type="checkbox"/>	<input type="checkbox"/>	<input type="checkbox"/>	<input type="checkbox"/>
Venturi Skimmer qty:			Standard Skimmer qty:			

NOTES:

Booster pump for cleaning system	<input type="checkbox"/>
Pool & Spa are NOT connected (requires separate system for spa)	<input type="checkbox"/>
Solar heated	<input type="checkbox"/>
Perimeter overflow	<input type="checkbox"/>
Standard downjets in hopper	<input type="checkbox"/>
Swingjet & downjet hybrid system	<input type="checkbox"/>
Step Nozzles (for vinyl over concrete or steel)	Steps <input type="checkbox"/> Benches <input type="checkbox"/> Baja <input type="checkbox"/>

*****email completed drawing request form to Cad@1Paramount.com*****

Product Ordering

If you would like a direct from Paramount order to be placed upon completion of this layout, please fill out the following sections.
 *An order will be processed and your account will be charged, including freight, if this form is marked as an order.

Pump / UV / Ozone / Spa Accessories / Water Features / Ancillary

Paraflo XE Booster Pump qty:

Ultra UV2 Water Sanitizer 120v 230v 1 Lamp version 2 Lamp version 3 Lamp version

Clear O3 (special pricing if purchased with UltraUV2) **HydraPure** 120v 230v

SDX2 (2 pack) **Airport** **MV Fuse** **Paralevel**

Parascope qty: **Mini Bubbler qty:**

Parajets Massage Jets qty: Body w/ cap: Shiatsu: Soft Stream: Pulsating: Deep Tissue: Tool:

Airbar qty: 48" (2pcs): Connectors: Spigot Adapters:

Color Selections

ParaskimV Venturi Skimmer Throat: White - 01 Grey - 02

Paraskim Standard Skimmer Throat: White - 01 Grey - 02

Deck Lids: White - 01 Beige - 07 Light Grey - 08

Pool Nozzles, Drain, Fountains: White - 01 Grey - 02 Black - 03 Blue - 05 Light Grey - 08

Spa Nozzles, Drain, Fountains: White - 01 Grey - 02 Black - 03 Blue - 05 Light Grey - 08

Parajets: White - 01 Grey - 02 Black - 03 Beige - 07 Light Grey - 08

Airbar: White - 01 Grey - 02

Nozzle Tool: Yes No

Order Type: Request quote Ship Order Pre-Gunite Ship Order Complete

Shipping Priority: Next Day 2-Day 3-Day Ground

NOTES:

email completed drawing request form to Cad@1Paramount.com